



PRODUCT

ComfortHush™

ComfortHush™ is an acoustic performance glass which also features a durable Low E coating. It is a Grade A laminated safety glass that uses a special 3-layer acoustic PVB laminate that is specifically designed to reduce sound transmission. The inclusion of a durable Low E coating also provides improved energy efficiency performance, by helping to keep homes and buildings cooler in summer and warmer in winter.

ComfortHush™ 6.5mm and 6.88mm provides a 6dB improvement compared to ordinary 3mm glass found in many residential windows. In fact, ordinary 3mm glass would need to be at least three times as

thick to offer the equivalent sound reduction as **ComfortPlus™** 6.5mm and 6.88mm.

Considerations

ComfortHush™ fits into most single glazed window frames. However, to avoid noise leaks, you need to ensure that **ComfortHush™** is installed in a frame that's well sealed and professionally fitted. If the frame isn't sealed properly, then **ComfortHush™** can't work to its full potential.

Glass must be installed with the Viridian label facing to the exterior of the building.

✓ **ComfortHush™** uses a laminated safety glass that uses a special 3-layer acoustic PVB laminate that is specifically designed to reduce sound transmission

Features and Benefits

- **ComfortHush™** 6.5mm and 6.88mm can be installed into most single glazed window frames.
- **ComfortHush™** 6.5mm and 6.88mm provides up to 39% better insulation than ordinary 4mm glass resulting in a more comfortable home and energy savings all year round.
- Reduces UV radiation by 99% reducing fading up to 8.5 times over normal glass.
- **ComfortHush™** is a laminated Grade A safety glass (AS/NZ2208).

Applications

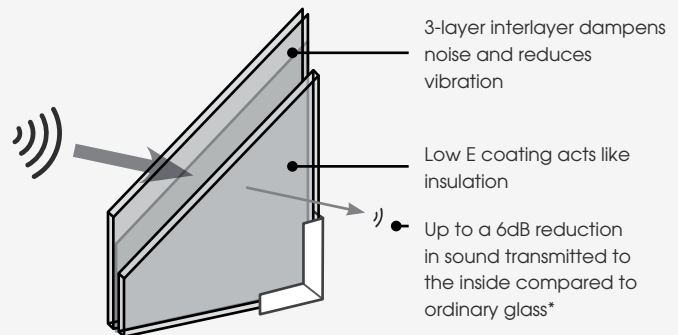
- Windows & Doors
- Facades
- Overhead Glazing

Thickness

- From 6.5mm to 10.88mm

How to Specify

- **Select glass name**
ComfortHush™
- **Select thickness – process**
6.5mm to 10.88mm – Laminated
- **Select colour**
Refer to product range chart



✓ **VLam™ Hush uses a special interlayer that targets sounds through the frequency range with an enhanced effect on higher frequencies - the most sensitive range of human hearing.**

✓ Product Range

	Thickness (mm)			
ComfortHush™	6.5	6.88	10.5	10.88
Clear	◆		◆	
Neutral	◆		◆	
Grey		◆		◆
Translucent		◆		◆