

THE FOLLOWING CALCULATIONS HAVE BEEN CARRIED OUT FOR PASSIVE HOUSE CERTIFICATION
THE CALCULATIONS ARE NOT SUITABLE FOR REGULATORY COMPLIANCE IN AUSTRALIA OR NEW ZEALAND

Product Configuration	mm	IGDB
Outer Lite: 4mm Viridian VFloat™ Clear	4	9706
Gap: Air (10%)/Argon(90%) Mix - EN 673	12	
Middle Lite: 4mm Viridian VFloat™ Clear	4	9706
Gap: Air (10%)/Argon(90%) Mix - EN 673	12	
Inner Lite: 4mm Viridian LightBridge™ Clear	4	####

Sound Transmission Loss (AS/NZS ISO 717.1-2004)	
Acoustic Values:	Rw(C;Ctr) = --(--;--) dB <small>*no test data available</small>

Manufacturing Sizes	
Nominal Thickness:	36 mm
Weight:	30 kg/m ²

Luminous factors (EN410-2011)	
Transmittance:	73 %
Outdoor reflectance:	18 %
Indoor Reflectance:	17 %

Energy Factors (EN410-2011)	
Transmittance:	48 %
Outdoor reflectance:	27 %
Indoor reflectance:	29 %
Absorptance A1:	10 %
Absorptance A2:	7 %

Solar factors (EN410-2011)	
g:	0.57
Shading Coefficient:	0.66

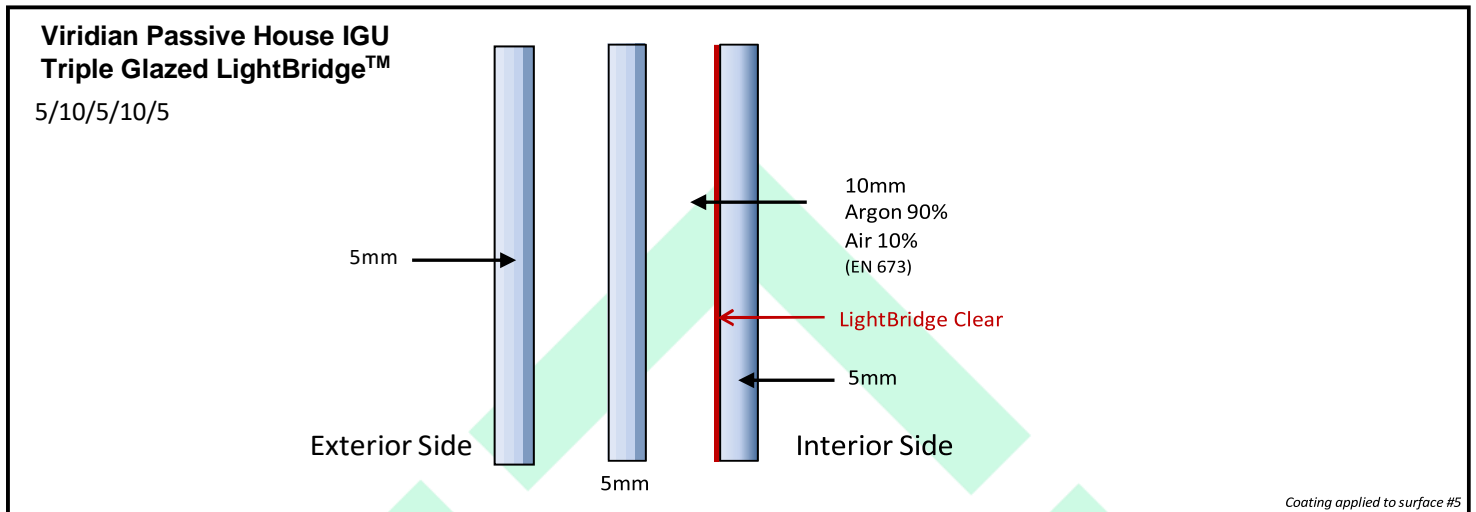
Thermal Transmission (EN673-2011) - 0°related to vertical position	
Ug:	1.02 W/(m ² .K)

Phone: 1800 810 403
Email: viridian@viridianglass.com
Website: www.viridianglass.com

These values are calculated according to EN410-2011 and EN673-2011 standards. Calculations made using LBNL Windows 7.5 set to EN673/EN410. Computed values are indicative and subject to change. These calculations cannot be used to guarantee performance of the products. The user must check the feasibility of the associated products, in particular in terms of thickness and colour. Furthermore, it is the users responsibility to check that the resulting combination of glazing meets regulatory requirements at national, local or regional level.

THESE CALCULATIONS ARE NOT SUITABLE FOR REGULATORY COMPLIANCE IN AUSTRALIA OR NEW ZEALAND.

The product is sold under the product name **Viridian Lightbridge** and the coating IGDB number is not disclosed for commercial reasons. When given the acoustic values have been tested in accordance with AS/NZS ISO 717.1:2004 with the noted glass configuration. **This data supersedes any previous data supplied by non-Viridian sources.**



THE FOLLOWING CALCULATIONS HAVE BEEN CARRIED OUT FOR PASSIVE HOUSE CERTIFICATION
THE CALCULATIONS ARE NOT SUITABLE FOR REGULATORY COMPLIANCE IN AUSTRALIA OR NEW ZEALAND

Product Configuration	mm	IGDB
Outer Lite: 5mm Viridian VFloat™ Clear	5	9707
Gap: Air (10%)/Argon(90%) Mix - EN 673	10	
Middle Lite: 5mm Viridian VFloat™ Clear	5	9707
Gap: Air (10%)/Argon(90%) Mix - EN 673	10	
Inner Lite: 5mm Viridian LightBridge™ Clear	5	####

Sound Transmission Loss (AS/NZS ISO 717.1-2004)		
Acoustic Values:	Rw(C;Ctr) = --(--;--)	dB
*no test data available		

Manufacturing Sizes		
Nominal Thickness:	35	mm
Weight:	37.5	kg/m ²

Luminous factors (EN410-2011)		
Transmittance:	71	%
Outdoor reflectance:	18	%
Indoor Reflectance:	17	%

Energy Factors (EN410-2011)		
Transmittance:	47	%
Outdoor reflectance:	25	%
Indoor reflectance:	28	%
Absorptance A1:	9	%
Absorptance A2:	8	%

Solar factors (EN410-2011)		
g:	0.56	
Shading Coefficient:	0.64	

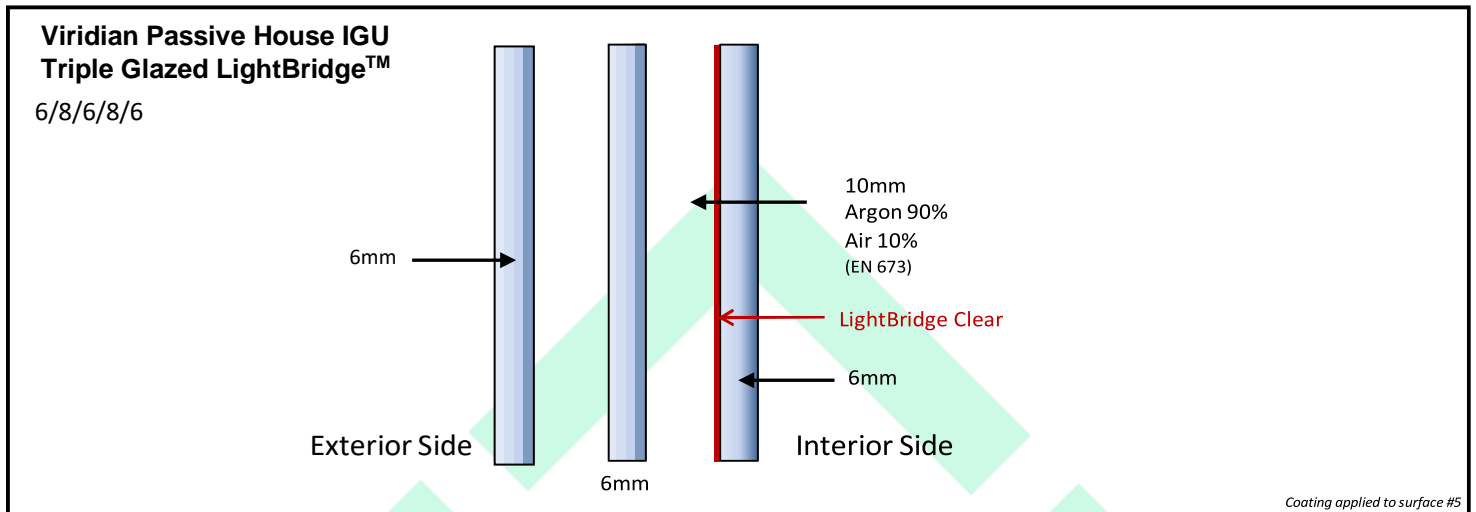
Thermal Transmission (EN673-2011) - 0°related to vertical position		
Ug:	1.02	W/(m ² .K)

Phone: 1800 810 403
Email: viridian@viridianglass.com
Website: www.viridianglass.com

These values are calculated according to EN410-2011 and EN673-2011 standards. Calculations made using LBNL Windows 7.5 set to EN673/EN410. Computed values are indicative and subject to change. These calculations cannot be used to guarantee performance of the products. The user must check the feasibility of the associated products, in particular in terms of thickness and colour. Furthermore, it is the users responsibility to check that the resulting combination of glazing meets regulatory requirements at national, local or regional level.

THESE CALCULATIONS ARE NOT SUITABLE FOR REGULATORY COMPLIANCE IN AUSTRALIA OR NEW ZEALAND.

The product is sold under the product name **Viridian Lightbridge** and the coating IGDB number is not disclosed for commercial reasons. When given the acoustic values have been tested in accordance with AS/NZS ISO 717.1:2004 with the noted glass configuration. **This data supersedes any previous data supplied by non-Viridian sources.**



THE FOLLOWING CALCULATIONS HAVE BEEN CARRIED OUT FOR PASSIVE HOUSE CERTIFICATION
 THE CALCULATIONS ARE NOT SUITABLE FOR REGULATORY COMPLIANCE IN AUSTRALIA OR NEW ZEALAND

Product Configuration	mm	IGDB
Outer Lite: 6mm Viridian VFloat™ Clear	6	9708
Gap: Air (10%)/Argon(90%) Mix - EN 673	10	
Middle Lite: 6mm Viridian VFloat™ Clear	6	9708
Gap: Air (10%)/Argon(90%) Mix - EN 673	10	
Inner Lite: 6mm Viridian LightBridge™ Clear	6	####

Sound Transmission Loss (AS/NZS ISO 717.1-2004)	
Acoustic Values:	Rw(C;Ctr) = --(--;--) dB <small>*no test data available</small>

Manufacturing Sizes	
Nominal Thickness:	34 mm
Weight:	45 kg/m ²

Luminous factors (EN410-2011)	
Transmittance:	70 %
Outdoor reflectance:	18 %
Indoor Reflectance:	17 %

Energy Factors (EN410-2011)	
Transmittance:	45 %
Outdoor reflectance:	24 %
Indoor reflectance:	27 %
Absorptance A1:	10 %
Absorptance A2:	8 %

Solar factors (EN410-2011)	
g:	0.56
Shading Coefficient:	0.64

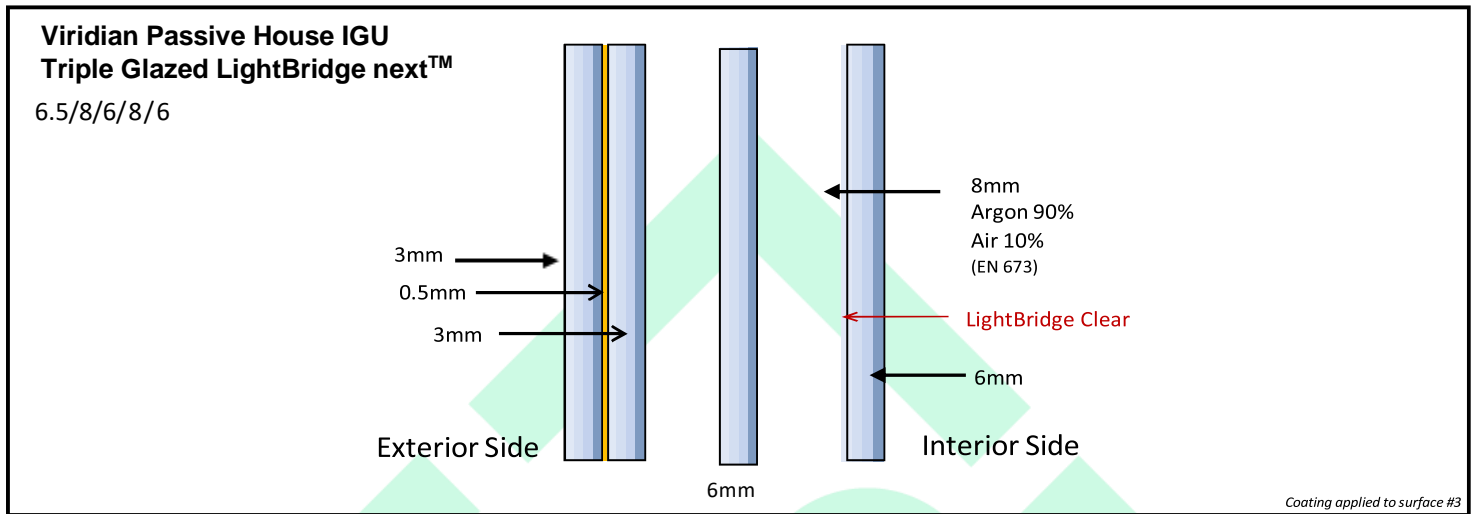
Thermal Transmission (EN673-2011) - 0°related to vertical position	
Ug:	1.13 W/(m ² .K)

Phone: 1800 810 403
 Email: viridian@viridianglass.com
 Website: www.viridianglass.com

These values are calculated according to EN410-2011 and EN673-2011 standards. Calculations made using LBNL Windows 7.5 set to EN673/EN410. Computed values are indicative and subject to change. These calculations cannot be used to guarantee performance of the products. The user must check the feasibility of the associated products, in particular in terms of thickness and colour. Furthermore, it is the users responsibility to check that the resulting combination of glazing meets regulatory requirements at national, local or regional level.

THESE CALCULATIONS ARE NOT SUITABLE FOR REGULATORY COMPLIANCE IN AUSTRALIA OR NEW ZEALAND.

The product is sold under the product name **Viridian Lightbridge** and the coating IGDB number is not disclosed for commercial reasons. When given the acoustic values have been tested in accordance with AS/NZS ISO 717.1:2004 with the noted glass configuration. **This data supersedes any previous data supplied by non-Viridian sources.**



THE FOLLOWING CALCULATIONS HAVE BEEN CARRIED OUT FOR PASSIVE HOUSE CERTIFICATION
THE CALCULATIONS ARE NOT SUITABLE FOR REGULATORY COMPLIANCE IN AUSTRALIA OR NEW ZEALAND

Product Configuration	mm	IGDB
Outer Lite: 6.5mm Viridian VLam Hush™ Clear	6.5	####
Gap: Air (10%)/Argon(90%) Mix - EN 673	8	
Middle Lite: 6mm Viridian VFloat™ Clear	6	9708
Gap: Air (10%)/Argon(90%) Mix - EN 673	8	
Inner Lite: 6mm Viridian LightBridge™ Clear	6	####

Sound Transmission Loss (AS/NZS ISO 717.1-2004)			
Acoustic Values:	Rw(C;Ctr) =	--(--;--)	dB
			*no test data available

Manufacturing Sizes			
Nominal Thickness:	34.5	mm	
Weight:	45.4	kg/m²	

Luminous factors (EN410-2011)			
Transmittance:	70	%	
Outdoor reflectance:	17	%	
Indoor Reflectance:	17	%	

Energy Factors (EN410-2011)			
Transmittance:	43	%	
Outdoor reflectance:	21	%	
Indoor reflectance:	27	%	
Absorptance A1:	19	%	
Absorptance A2:	7	%	

Solar factors (EN410-2011)			
g:	0.53		
Shading Coefficient:	N/A		

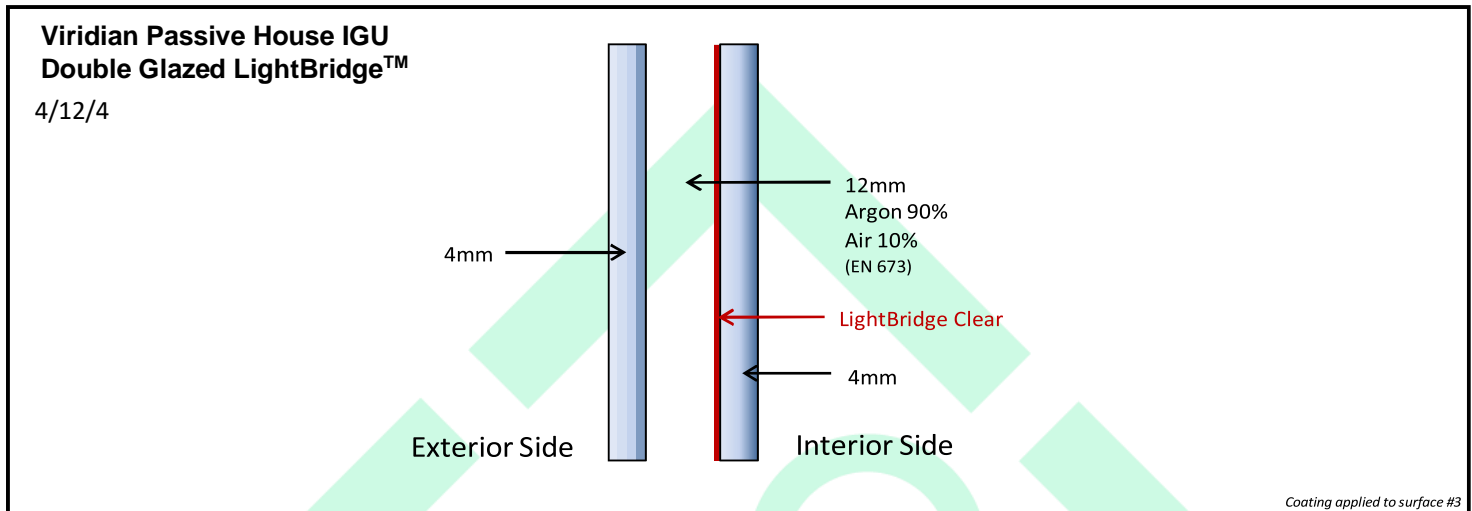
Thermal Transmission (EN673-2011) - 0°related to vertical position			
Ug:	1.29	W/(m².K)	

Phone: 1800 810 403
Email: viridian@viridianglass.com
Website: www.viridianglass.com

These values are calculated according to EN410-2011 and EN673-2011 standards. Calculations made using LBNL Windows 7.5 set to EN673/EN410. Computed values are indicative and subject to change. These calculations cannot be used to guarantee performance of the products. The user must check the feasibility of the associated products, in particular in terms of thickness and colour. Furthermore, it is the users responsibility to check that the resulting combination of glazing meets regulatory requirements at national, local or regional level.

THESE CALCULATIONS ARE NOT SUITABLE FOR REGULATORY COMPLIANCE IN AUSTRALIA OR NEW ZEALAND.

The product is sold under the product name **Viridian Lightbridge** and the coating IGDB number is not disclosed for commercial reasons. When given the acoustic values have been tested in accordance with AS/NZS ISO 717.1:2004 with the noted glass configuration. **This data supersedes any previous data supplied by non-Viridian sources.**



THE FOLLOWING CALCULATIONS HAVE BEEN CARRIED OUT FOR PASSIVE HOUSE CERTIFICATION
THE CALCULATIONS ARE NOT SUITABLE FOR REGULATORY COMPLIANCE IN AUSTRALIA OR NEW ZEALAND

Product Configuration	mm	IGDB
Outer Lite: 4mm Viridian VFloat™ Clear	4	9706
Gap: Air (10%)/Argon(90%) Mix - EN 673	12	
Inner Lite: 4mm Viridian LightBridge™ Clear	4	####

Sound Transmission Loss (AS/NZS ISO 717.1-2004)		
Acoustic Values:	Rw(C;Ctr) = --(--;--)	dB
*no test data available		

Manufacturing Sizes		
Nominal Thickness:	19.9	mm
Weight:	20.0	kg/m ²

Luminous factors (EN410-2011)		
Transmittance:	81	%
Outdoor reflectance:	12	%
Indoor Reflectance:	13	%

Energy Factors (EN410-2011)		
Transmittance:	57	%
Outdoor reflectance:	25	%
Indoor reflectance:	27	%
Absorptance A1:	13	%
Absorptance A2:	5	%

Solar factors (EN410-2011)		
g:	0.62	
Shading Coefficient:	0.71	

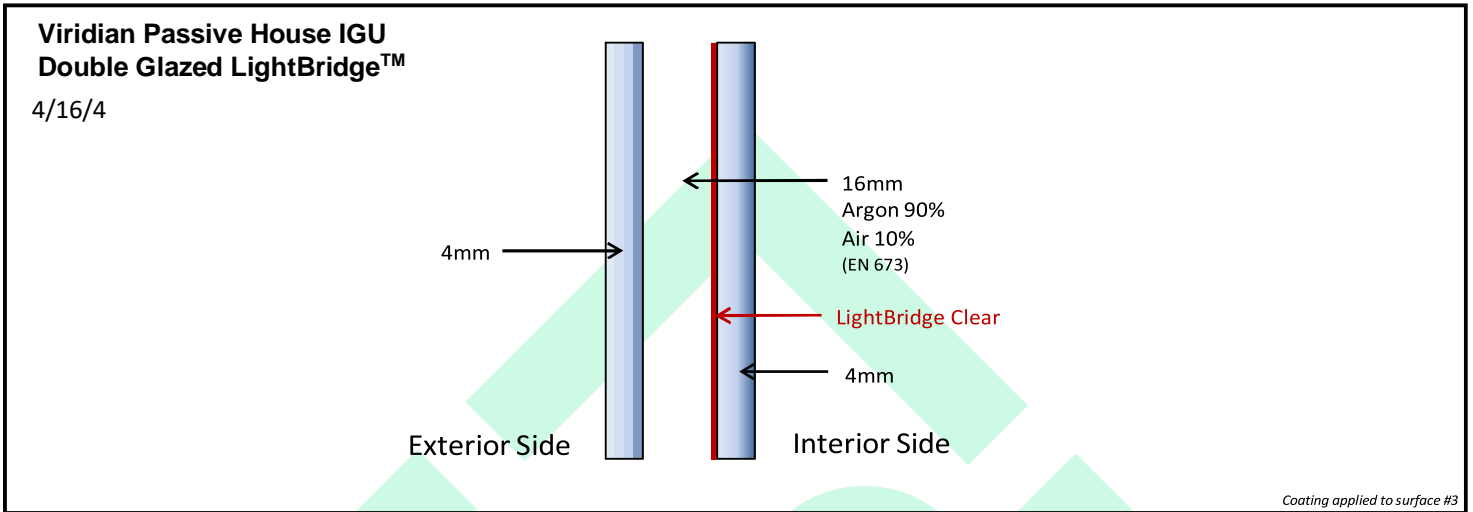
Thermal Transmission (EN673-2011) - 0°related to vertical position		
Ug:	1.29	W/(m ² .K)

Phone: 1800 810 403
Email: viridian@viridianglass.com
Website: www.viridianglass.com

These values are calculated according to EN410-2011 and EN673-2011 standards. Calculations made using LBNL Windows 7.5 set to EN673/EN410. Computed values are indicative and subject to change. These calculations cannot be used to guarantee performance of the products. The user must check the feasibility of the associated products, in particular in terms of thickness and colour. Furthermore, it is the users responsibility to check that the resulting combination of glazing meets regulatory requirements at national, local or regional level.

THESE CALCULATIONS ARE NOT SUITABLE FOR REGULATORY COMPLIANCE IN AUSTRALIA OR NEW ZEALAND.

The product is sold under the product name **Viridian Lightbridge** and the coating IGDB number is not disclosed for commercial reasons. When given the acoustic values have been tested in accordance with AS/NZS ISO 717.1:2004 with the noted glass configuration. **This data supersedes any previous data supplied by non-Viridian sources.**



THE FOLLOWING CALCULATIONS HAVE BEEN CARRIED OUT FOR PASSIVE HOUSE CERTIFICATION
THE CALCULATIONS ARE NOT SUITABLE FOR REGULATORY COMPLIANCE IN AUSTRALIA OR NEW ZEALAND

Product Configuration	mm	IGDB
Outer Lite: 4mm Viridian VFloat™ Clear	4	9706
Gap: Air (10%)/Argon(90%) Mix - EN 673	16	
Inner Lite: 4mm Viridian LightBridge™ Clear	4	####

Sound Transmission Loss (AS/NZS ISO 717.1-2004)			
Acoustic Values:	Rw(C;Ctr) =	--(--;--)	dB
*no test data available			

Manufacturing Sizes			
Nominal Thickness:	23.9	mm	
Weight:	20.0	kg/m ²	

Luminous factors (EN410-2011)			
Transmittance:	81	%	
Outdoor reflectance:	12	%	
Indoor Reflectance:	13	%	

Energy Factors (EN410-2011)			
Transmittance:	57	%	
Outdoor reflectance:	25	%	
Indoor reflectance:	27	%	
Absorptance A1:	13	%	
Absorptance A2:	5	%	

Solar factors (EN410-2011)			
g:	0.62		
Shading Coefficient:	0.71		

Thermal Transmission (EN673-2011) - 0°related to vertical position			
Ug:	1.15	W/(m ² .K)	

Contact:

Phone: 1800 810 403
Email: viridian@viridianglass.com
Website: www.viridianglass.com

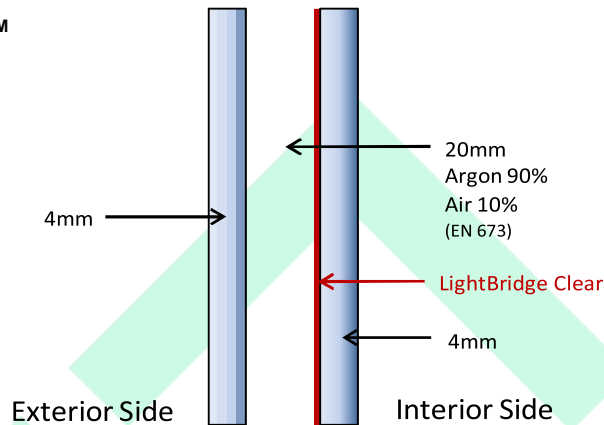
These values are calculated according to EN410-2011 and EN673-2011 standards. Calculations made using LBNL Windows 7.5 set to EN673/EN410. Computed values are indicative and subject to change. These calculations cannot be used to guarantee performance of the products. The user must check the feasibility of the associated products, in particular in terms of thickness and colour. Furthermore, it is the users responsibility to check that the resulting combination of glazing meets regulatory requirements at national, local or regional level.

THESE CALCULATIONS ARE NOT SUITABLE FOR REGULATORY COMPLIANCE IN AUSTRALIA OR NEW ZEALAND.

The product is sold under the product name **Viridian Lightbridge** and the coating IGDB number is not disclosed for commercial reasons. When given the acoustic values have been tested in accordance with AS/NZS ISO 717.1:2004 with the noted glass configuration. **This data supersedes any previous data supplied by non-Viridian sources.**

**Viridian Passive House IGU
Double Glazed LightBridge™**

4/20/4



Coating applied to surface #3

THE FOLLOWING CALCULATIONS HAVE BEEN CARRIED OUT FOR PASSIVE HOUSE CERTIFICATION
THE CALCULATIONS ARE NOT SUITABLE FOR REGULATORY COMPLIANCE IN AUSTRALIA OR NEW ZEALAND

Product Configuration	mm	IGDB
Outer Lite: 4mm Viridian VFloat™ Clear	4	9706
Gap: Air (10%)/Argon(90%) Mix - EN 673	20	
Inner Lite: 4mm Viridian LightBridge™ Clear	4	####

Sound Transmission Loss (AS/NZS ISO 717.1-2004)			
Acoustic Values:	Rw(C;Ctr) =	--(--;--)	dB
*no test data available			

Manufacturing Sizes			
Nominal Thickness:	27.9	mm	
Weight:	20.0	kg/m ²	

Luminous factors (EN410-2011)			
Transmittance:	81	%	
Outdoor reflectance:	12	%	
Indoor Reflectance:	13	%	

Energy Factors (EN410-2011)			
Transmittance:	57	%	
Outdoor reflectance:	25	%	
Indoor reflectance:	27	%	
Absorptance A1:	13	%	
Absorptance A2:	5	%	

Solar factors (EN410-2011)			
g:	0.62		
Shading Coefficient:	0.71		

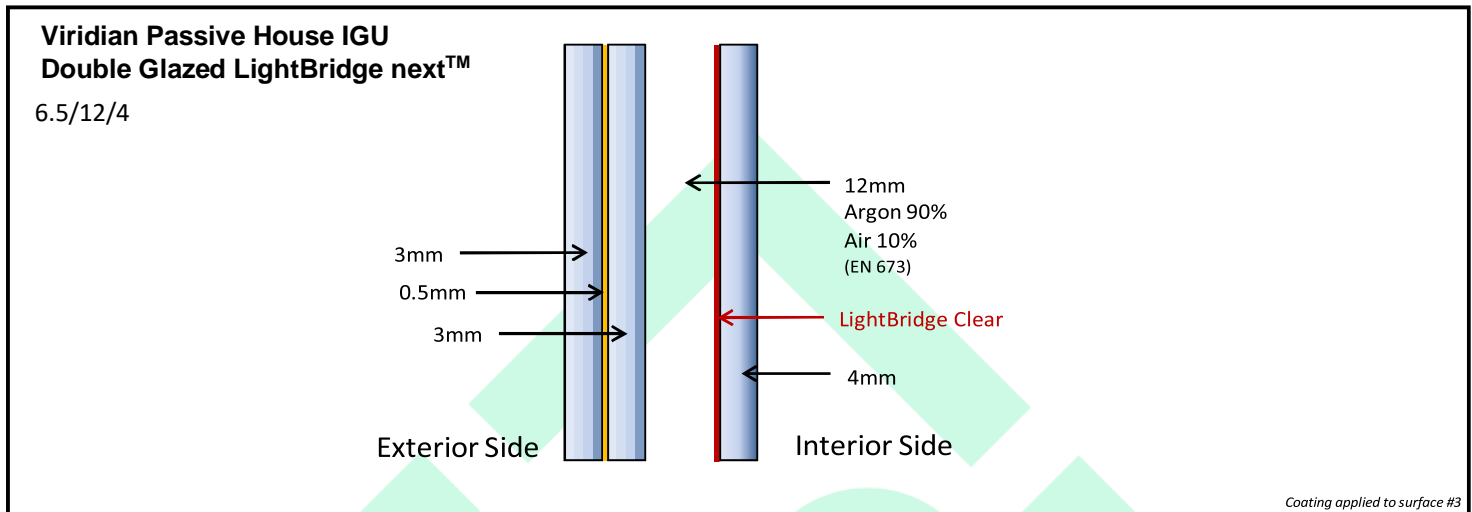
Thermal Transmission (EN673-2011) - 0°related to vertical position			
Ug:	1.18	W/(m ² .K)	

Contact:
 Phone: 1800 810 403
 Email: viridian@viridianglass.com
 Website: www.viridianglass.com

These values are calculated according to EN410-2011 and EN673-2011 standards. Calculations made using LBNL Windows 7.5 set to EN673/EN410. Computed values are indicative and subject to change. These calculations cannot be used to guarantee performance of the products. The user must check the feasibility of the associated products, in particular in terms of thickness and colour. Furthermore, it is the users responsibility to check that the resulting combination of glazing meets regulatory requirements at national, local or regional level.

THESE CALCULATIONS ARE NOT SUITABLE FOR REGULATORY COMPLIANCE IN AUSTRALIA OR NEW ZEALAND.

The product is sold under the product name **Viridian Lightbridge** and the coating IGDB number is not disclosed for commercial reasons. When given the acoustic values have been tested in accordance with AS/NZS ISO 717.1:2004 with the noted glass configuration. **This data supersedes any previous data supplied by non-Viridian sources.**



THE FOLLOWING CALCULATIONS HAVE BEEN CARRIED OUT FOR PASSIVE HOUSE CERTIFICATION
 THE CALCULATIONS ARE NOT SUITABLE FOR REGULATORY COMPLIANCE IN AUSTRALIA OR NEW ZEALAND

Product Configuration	mm	IGDB
Outer Lite: 6.5mm Viridian VLam Hush™ Clear	6.5	####
Gap: Air (10%)/Argon(90%) Mix - EN 673	12	
Inner Lite: 4mm Viridian LightBridge™ Clear	4	####

Sound Transmission Loss (AS/NZS ISO 717.1-2004)
Acoustic Values: $R_w(C;Ctr) = --(--;--)$ dB *no test data available

Manufacturing Sizes		
Nominal Thickness:	22.7	mm
Weight:	25.5	kg/m ²

Luminous factors (EN410-2011)		
Transmittance:	79	%
Outdoor reflectance:	12	%
Indoor Reflectance:	12	%

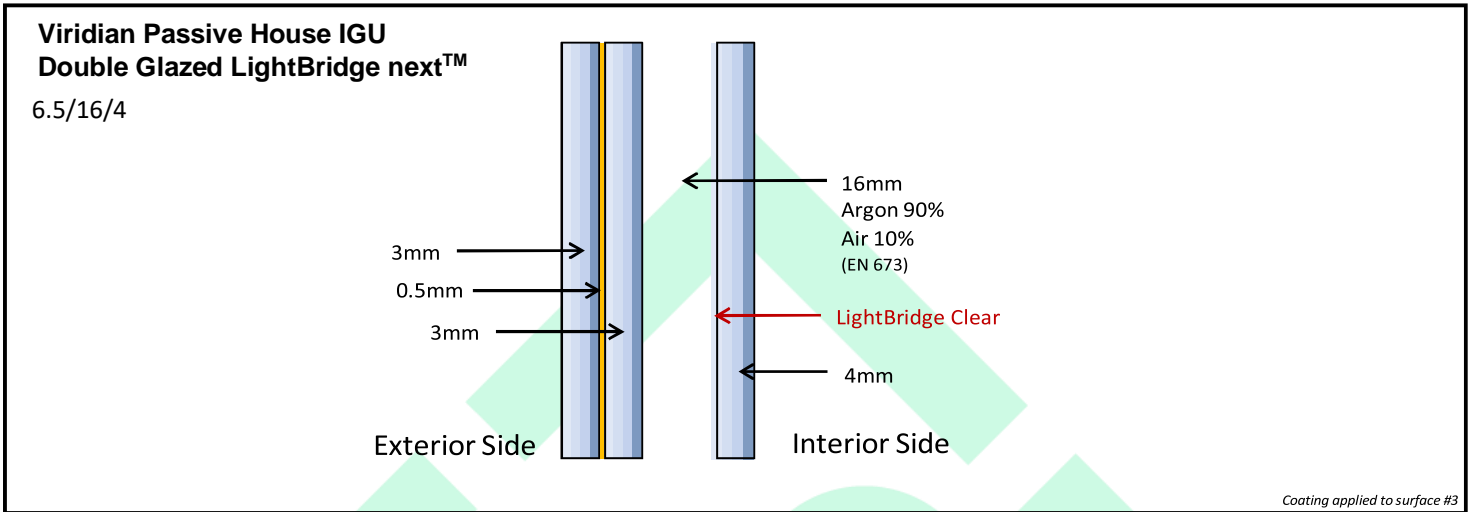
Energy Factors (EN410-2011)		
Transmittance:	49	%
Outdoor reflectance:	19	%
Indoor reflectance:	26	%
Absorptance A1:	28	%
Absorptance A2:	4	%

Solar factors (EN410-2011)		
g:	0.55	
Shading Coefficient:	N/A	

Thermal Transmission (EN673-2011) - 0°related to vertical position		
Ug:	1.28	W/(m ² .K)

Contact:
 Phone: 1800 810 403
 Email: viridian@viridianglass.com
 Website: www.viridianglass.com

These values are calculated according to EN410-2011 and EN673-2011 standards. Calculations made using LBNL Windows 7.5 set to EN673/EN410. Computed values are indicative and subject to change. These calculations cannot be used to guarantee performance of the products. The user must check the feasibility of the associated products, in particular in terms of thickness and colour. Furthermore, it is the users responsibility to check that the resulting combination of glazing meets regulatory requirements at national, local or regional level.
THESE CALCULATIONS ARE NOT SUITABLE FOR REGULATORY COMPLIANCE IN AUSTRALIA OR NEW ZEALAND.
The product is sold under the product name Viridian Lightbridge and the coating IGDB number is not disclosed for commercial reasons. When given the acoustic values have been tested in accordance with AS/NZS ISO 717.1:2004 with the noted glass configuration. This data supersedes any previous data supplied by non-Viridian sources.



THE FOLLOWING CALCULATIONS HAVE BEEN CARRIED OUT FOR PASSIVE HOUSE CERTIFICATION
 THE CALCULATIONS ARE NOT SUITABLE FOR REGULATORY COMPLIANCE IN AUSTRALIA OR NEW ZEALAND

Product Configuration	mm	IGDB
Outer Lite: 6.5mm Viridian VLam Hush™ Clear	6.5	####
Gap: Air (10%)/Argon(90%) Mix - EN 673	16	
Inner Lite: 4mm Viridian LightBridge™ Clear	4	####

Sound Transmission Loss (AS/NZS ISO 717.1-2004)			
Acoustic Values:	Rw(C;Ctr) =	--(--;--)	dB
* no test data available			

Manufacturing Sizes			
Nominal Thickness:	26.7	mm	
Weight:	25.5	kg/m ²	

Luminous factors (EN410-2011)			
Transmittance:	79	%	
Outdoor reflectance:	12	%	
Indoor Reflectance:	12	%	

Energy Factors (EN410-2011)			
Transmittance:	49	%	
Outdoor reflectance:	19	%	
Indoor reflectance:	26	%	
Absorptance A1:	28	%	
Absorptance A2:	4	%	

Solar factors (EN410-2011)			
g:	0.54		
Shading Coefficient:	N/A		

Thermal Transmission (EN673-2011) - 0°related to vertical position			
Ug:	1.14	W/(m ² .K)	

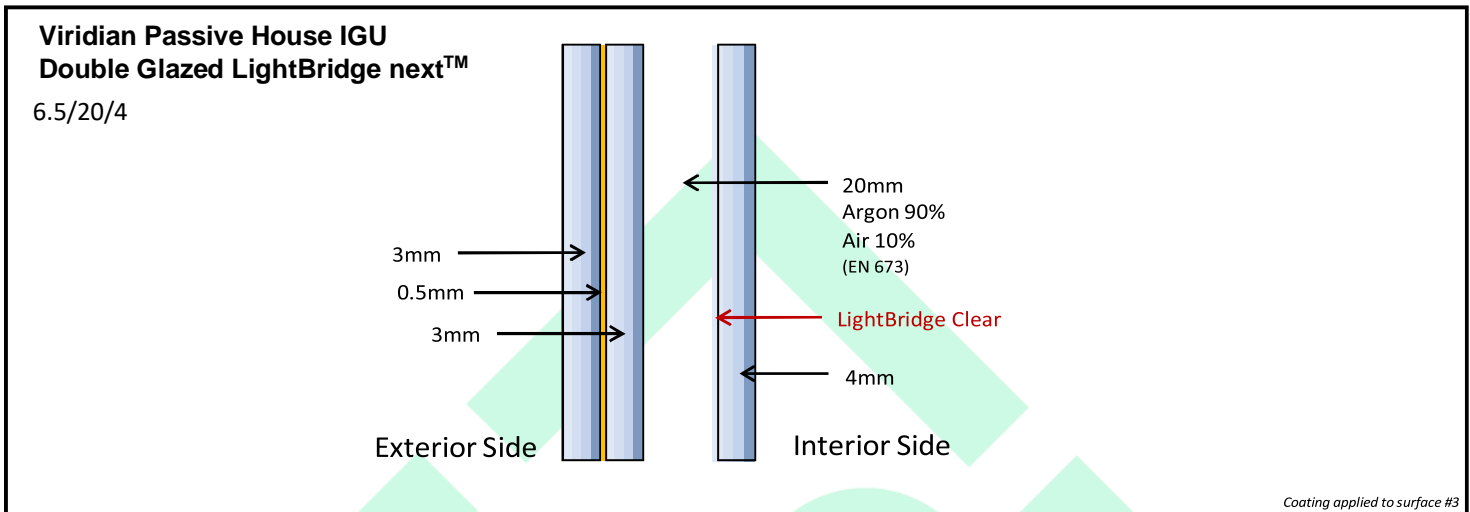
Contact:

Phone: 1800 810 403
 Email: viridian@viridianglass.com
 Website: www.viridianglass.com

These values are calculated according to EN410-2011 and EN673-2011 standards. Calculations made using LBNL Windows 7.5 set to EN673/EN410. Computed values are indicative and subject to change. These calculations cannot be used to guarantee performance of the products. The user must check the feasibility of the associated products, in particular in terms of thickness and colour. Furthermore, it is the users responsibility to check that the resulting combination of glazing meets regulatory requirements at national, local or regional level.

THESE CALCULATIONS ARE NOT SUITABLE FOR REGULATORY COMPLIANCE IN AUSTRALIA OR NEW ZEALAND.

The product is sold under the product name Viridian Lightbridge and the coating IGDB number is not disclosed for commercial reasons. When given the acoustic values have been tested in accordance with AS/NZS ISO 717.1:2004 with the noted glass configuration. This data supersedes any previous data supplied by non-Viridian sources.



THE FOLLOWING CALCULATIONS HAVE BEEN CARRIED OUT FOR PASSIVE HOUSE CERTIFICATION
THE CALCULATIONS ARE NOT SUITABLE FOR REGULATORY COMPLIANCE IN AUSTRALIA OR NEW ZEALAND

Product Configuration	mm	IGDB
Outer Lite: 6.5mm Viridian VLam Hush™ Clear	6.5	####
Gap: Air (10%)/Argon(90%) Mix - EN 673	20	
Inner Lite: 4mm Viridian LightBridge™ Clear	4	####

Sound Transmission Loss (AS/NZS ISO 717.1-2004)			
Acoustic Values:	Rw(C;Ctr) =	--(--;--)	dB
<small>*no test data available</small>			

Manufacturing Sizes			
Nominal Thickness:	30.7	mm	
Weight:	25.5	kg/m ²	

Luminous factors (EN410-2011)			
Transmittance:	79	%	
Outdoor reflectance:	12	%	
Indoor Reflectance:	12	%	

Energy Factors (EN410-2011)			
Transmittance:	49	%	
Outdoor reflectance:	19	%	
Indoor reflectance:	26	%	
Absorptance A1:	28	%	
Absorptance A2:	4	%	

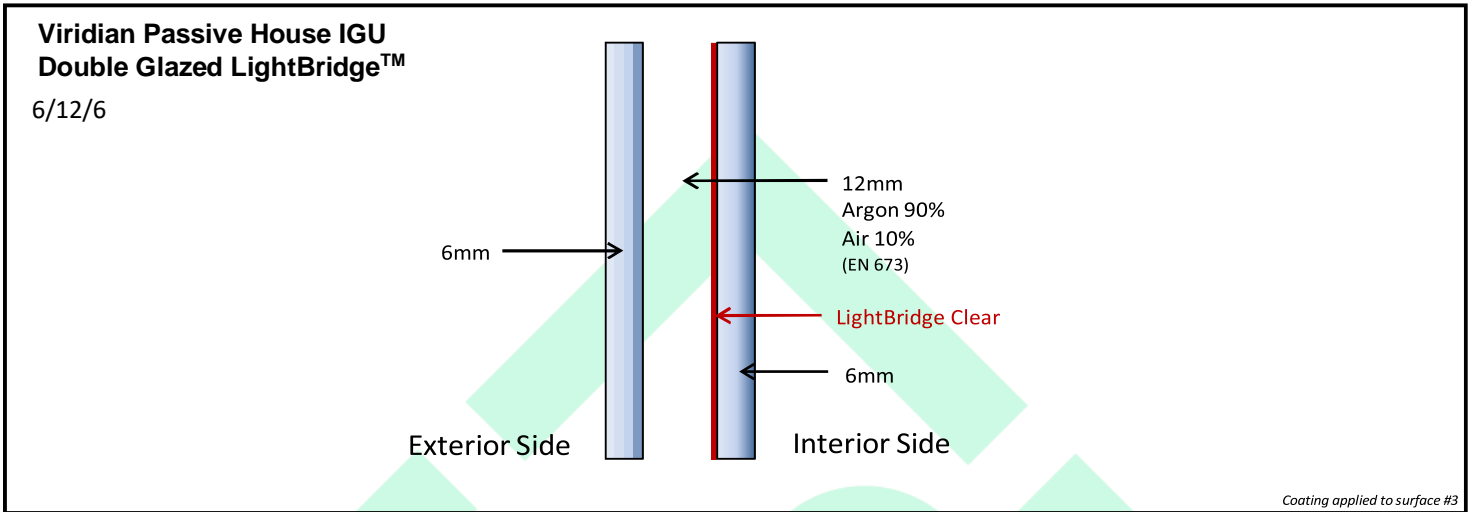
Solar factors (EN410-2011)			
g:	0.54		
Shading Coefficient:	N/A		

Thermal Transmission (EN673-2011) - 0°related to vertical position			
Ug:	1.17	W/(m ² .K)	

Contact:

Phone: 1800 810 403
Email: viridian@viridianglass.com
Website: www.viridianglass.com

These values are calculated according to EN410-2011 and EN673-2011 standards. Calculations made using LBNL Windows 7.5 set to EN673/EN410. Computed values are indicative and subject to change. These calculations cannot be used to guarantee performance of the products. The user must check the feasibility of the associated products, in particular in terms of thickness and colour. Furthermore, it is the users responsibility to check that the resulting combination of glazing meets regulatory requirements at national, local or regional level. THESE CALCULATIONS ARE NOT SUITABLE FOR REGULATORY COMPLIANCE IN AUSTRALIA OR NEW ZEALAND. The product is sold under the product name Viridian Lightbridge and the coating IGDB number is not disclosed for commercial reasons. When given the acoustic values have been tested in accordance with AS/NZS ISO 717.1:2004 with the noted glass configuration. This data supersedes any previous data supplied by non-Viridian sources.



THE FOLLOWING CALCULATIONS HAVE BEEN CARRIED OUT FOR PASSIVE HOUSE CERTIFICATION
THE CALCULATIONS ARE NOT SUITABLE FOR REGULATORY COMPLIANCE IN AUSTRALIA OR NEW ZEALAND

Product Configuration	mm	IGDB
Outer Lite: 6mm Viridian VFloat Clear	6	9708
Gap: Air (10%)/Argon(90%) Mix - EN 673	12	
Inner Lite: 6mm Viridian LightBridge™ Clear	6	####

Sound Transmission Loss (AS/NZS ISO 717.1-2004)		
Acoustic Values:	Rw(C;Ctr) = 33(-2;-5) dB	*tested with 6/12/6

Manufacturing Sizes		
Nominal Thickness:	23.9	mm
Weight:	30.0	kg/m²

Luminous factors (EN410-2011)		
Transmittance:	79	%
Outdoor reflectance:	12	%
Indoor Reflectance:	13	%

Energy Factors (EN410-2011)		
Transmittance:	54	%
Outdoor reflectance:	22	%
Indoor reflectance:	26	%
Absorptance A1:	18	%
Absorptance A2:	6	%

Solar factors (EN410-2011)		
g:	0.60	
Shading Coefficient:	0.71	

Thermal Transmission (EN673-2011) - 0°related to vertical position		
Ug:	1.28	W/(m².K)

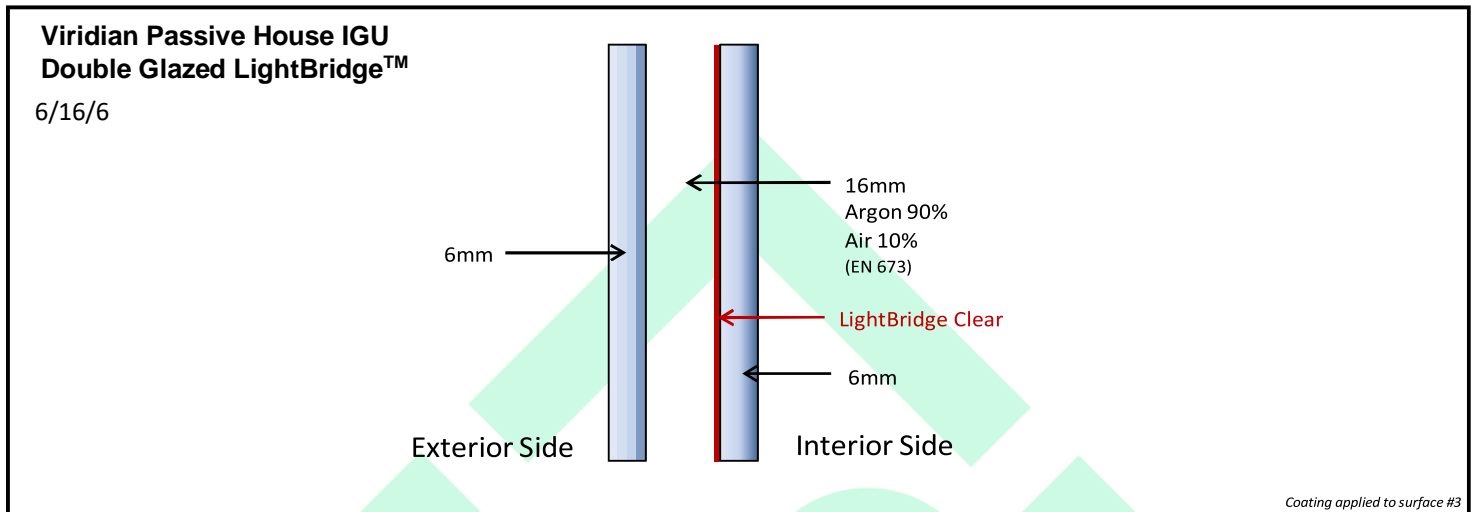
Contact:

Phone: 1800 810 403
Email: viridian@viridianglass.com
Website: www.viridianglass.com

These values are calculated according to EN410-2011 and EN673-2011 standards. Calculations made using LBNL Windows 7.5 set to EN673/EN410. Computed values are indicative and subject to change. These calculations cannot be used to guarantee performance of the products. The user must check the feasibility of the associated products, in particular in terms of thickness and colour. Furthermore, it is the users responsibility to check that the resulting combination of glazing meets regulatory requirements at national, local or regional level.

THESE CALCULATIONS ARE NOT SUITABLE FOR REGULATORY COMPLIANCE IN AUSTRALIA OR NEW ZEALAND.

The product is sold under the product name **Viridian Lightbridge** and the coating IGDB number is not disclosed for commercial reasons. When given the acoustic values have been tested in accordance with AS/NZS ISO 717.1:2004 with the noted glass configuration. **This data supersedes any previous data supplied by non-Viridian sources.**



THE FOLLOWING CALCULATIONS HAVE BEEN CARRIED OUT FOR PASSIVE HOUSE CERTIFICATION
THE CALCULATIONS ARE NOT SUITABLE FOR REGULATORY COMPLIANCE IN AUSTRALIA OR NEW ZEALAND

Product Configuration	mm	IGDB
Outer Lite: 6mm Viridian Vfloat Clear	6	9708
Gap: Air (10%)/Argon(90%) Mix - EN 673	16	
Inner Lite: 6mm Viridian LightBridge™ Clear	6	####

Sound Transmission Loss (AS/NZS ISO 717.1-2004)			
Acoustic Values:	Rw(C;Ctr) =	--(--;--)	dB
*no test data available			

Manufacturing Sizes			
Nominal Thickness:	27.9	mm	
Weight:	30.0	kg/m ²	

Luminous factors (EN410-2011)			
Transmittance:	79	%	
Outdoor reflectance:	12	%	
Indoor Reflectance:	13	%	

Energy Factors (EN410-2011)			
Transmittance:	54	%	
Outdoor reflectance:	22	%	
Indoor reflectance:	26	%	
Absorptance A1:	18	%	
Absorptance A2:	6	%	

Solar factors (EN410-2011)			
g:	0.60		
Shading Coefficient:	0.71		

Thermal Transmission (EN673-2011) - 0°related to vertical position			
Ug:	1.15	W/(m ² .K)	

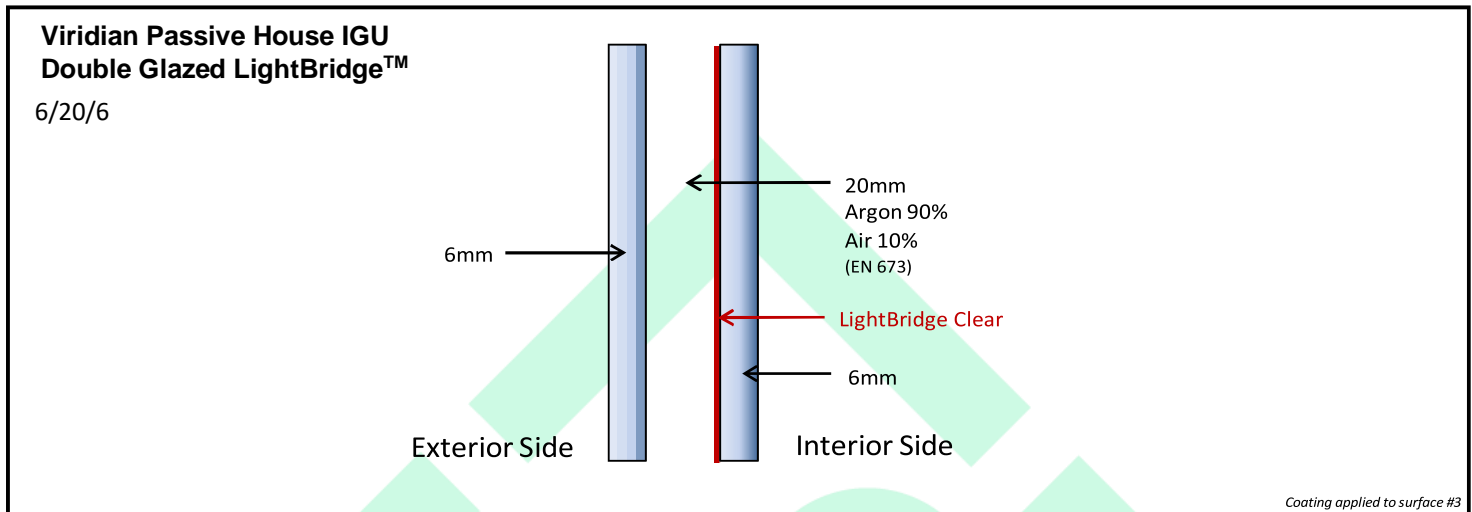
Contact:

Phone: 1800 810 403
Email: viridian@viridianglass.com
Website: www.viridianglass.com

These values are calculated according to EN410-2011 and EN673-2011 standards. Calculations made using LBNL Windows 7.5 set to EN673/EN410. Computed values are indicative and subject to change. These calculations cannot be used to guarantee performance of the products. The user must check the feasibility of the associated products, in particular in terms of thickness and colour. Furthermore, it is the users responsibility to check that the resulting combination of glazing meets regulatory requirements at national, local or regional level.

THESE CALCULATIONS ARE NOT SUITABLE FOR REGULATORY COMPLIANCE IN AUSTRALIA OR NEW ZEALAND.

The product is sold under the product name **Viridian Lightbridge** and the coating IGDB number is not disclosed for commercial reasons. When given the acoustic values have been tested in accordance with AS/NZS ISO 717.1:2004 with the noted glass configuration. **This data supersedes any previous data supplied by non-Viridian sources.**



THE FOLLOWING CALCULATIONS HAVE BEEN CARRIED OUT FOR PASSIVE HOUSE CERTIFICATION
 THE CALCULATIONS ARE NOT SUITABLE FOR REGULATORY COMPLIANCE IN AUSTRALIA OR NEW ZEALAND

Product Configuration	mm	IGDB
Outer Lite: 6mm Viridian Vfloat Clear	6	9708
Gap: Air (10%)/Argon(90%) Mix - EN 673	20	
Inner Lite: 6mm Viridian LightBridge™ Clear	6	####

Sound Transmission Loss (AS/NZS ISO 717.1-2004)			
Acoustic Values:	Rw(C;Ctr) =	--(--,--)	dB
*no test data available			

Manufacturing Sizes			
Nominal Thickness:	31.9	mm	
Weight:	30.0	kg/m ²	

Luminous factors (EN410-2011)			
Transmittance:	79	%	
Outdoor reflectance:	12	%	
Indoor Reflectance:	13	%	

Energy Factors (EN410-2011)			
Transmittance:	54	%	
Outdoor reflectance:	22	%	
Indoor reflectance:	26	%	
Absorptance A1:	18	%	
Absorptance A2:	6	%	

Solar factors (EN410-2011)			
g:	0.60		
Shading Coefficient:	0.71		

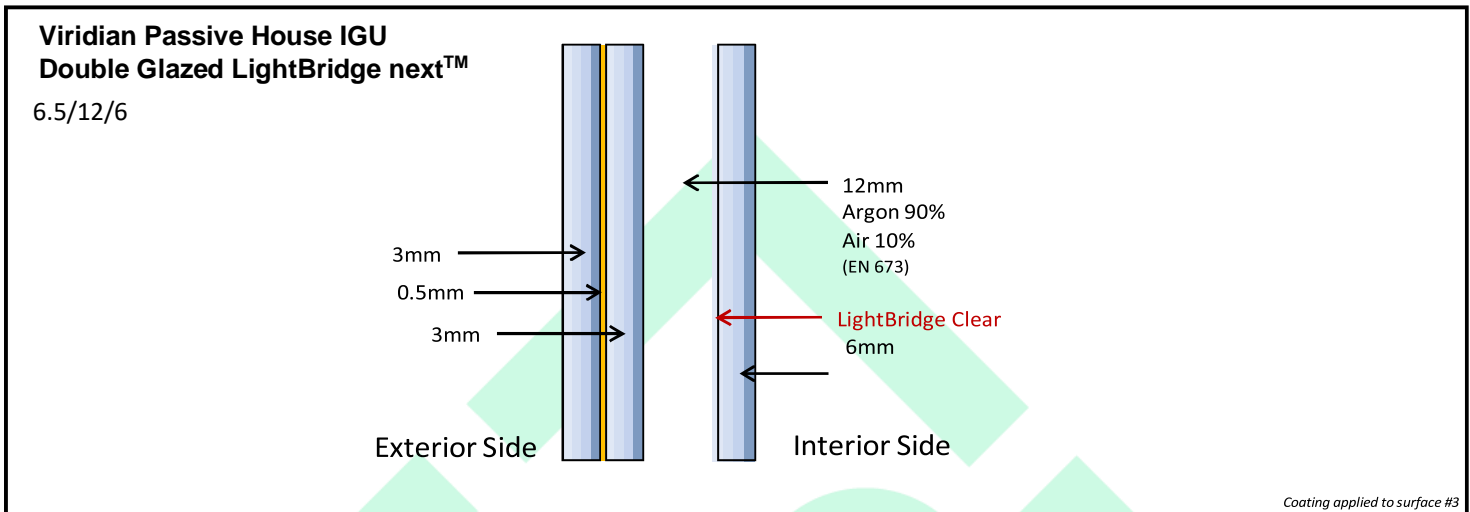
Thermal Transmission (EN673-2011) - 0°related to vertical position			
Ug:	1.17	W/(m ² .K)	

Contact:
 Phone: 1800 810 403
 Email: viridian@viridianglass.com
 Website: www.viridianglass.com

These values are calculated according to EN410-2011 and EN673-2011 standards. Calculations made using LBNL Windows 7.5 set to EN673/EN410. Computed values are indicative and subject to change. These calculations cannot be used to guarantee performance of the products. The user must check the feasibility of the associated products, in particular in terms of thickness and colour. Furthermore, it is the users responsibility to check that the resulting combination of glazing meets regulatory requirements at national, local or regional level.

THESE CALCULATIONS ARE NOT SUITABLE FOR REGULATORY COMPLIANCE IN AUSTRALIA OR NEW ZEALAND.

The product is sold under the product name **Viridian Lightbridge** and the coating IGDB number is not disclosed for commercial reasons. When given the acoustic values have been tested in accordance with AS/NZS ISO 717.1:2004 with the noted glass configuration. **This data supersedes any previous data supplied by non-Viridian sources.**



THE FOLLOWING CALCULATIONS HAVE BEEN CARRIED OUT FOR PASSIVE HOUSE CERTIFICATION
THE CALCULATIONS ARE NOT SUITABLE FOR REGULATORY COMPLIANCE IN AUSTRALIA OR NEW ZEALAND

Product Configuration	mm	IGDB
Outer Lite: 6.5mm Viridian VLam Hush™ Clear	6.5	####
Gap: Air (10%)/Argon(90%) Mix - EN 673	12	
Inner Lite: 6mm Viridian LightBridge™ Clear	6	####

Sound Transmission Loss (AS/NZS ISO 717.1-2004)			
Acoustic Values:	Rw(C;Ctr) =	--(--;--)	dB
*no test data available			

Manufacturing Sizes			
Nominal Thickness:	24.7	mm	
Weight:	30.5	kg/m ²	

Luminous factors (EN410-2011)			
Transmittance:	79	%	
Outdoor reflectance:	12	%	
Indoor Reflectance:	12	%	

Energy Factors (EN410-2011)			
Transmittance:	48	%	
Outdoor reflectance:	19	%	
Indoor reflectance:	25	%	
Absorptance A1:	28	%	
Absorptance A2:	5	%	

Solar factors (EN410-2011)			
g:	0.54		
Shading Coefficient:	N/A		

Thermal Transmission (EN673-2011) - 0°related to vertical position			
Ug:	1.28	W/(m ² .K)	

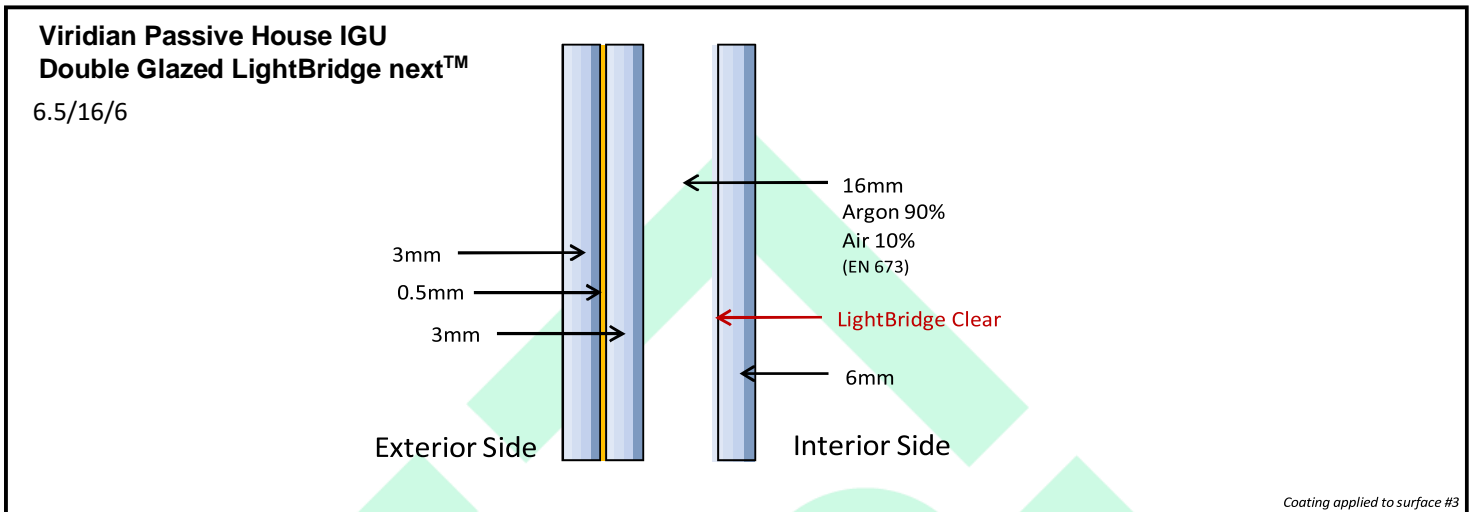
Contact:

Phone: 1800 810 403
Email: viridian@viridianglass.com
Website: www.viridianglass.com

These values are calculated according to EN410-2011 and EN673-2011 standards. Calculations made using LBNL Windows 7.5 set to EN673/EN410. Computed values are indicative and subject to change. These calculations cannot be used to guarantee performance of the products. The user must check the feasibility of the associated products, in particular in terms of thickness and colour. Furthermore, it is the users responsibility to check that the resulting combination of glazing meets regulatory requirements at national, local or regional level.

THESE CALCULATIONS ARE NOT SUITABLE FOR REGULATORY COMPLIANCE IN AUSTRALIA OR NEW ZEALAND.

The product is sold under the product name Viridian Lightbridge and the coating IGDB number is not disclosed for commercial reasons. When given the acoustic values have been tested in accordance with AS/NZS ISO 717.1:2004 with the noted glass configuration. This data supersedes any previous data supplied by non-Viridian sources.



THE FOLLOWING CALCULATIONS HAVE BEEN CARRIED OUT FOR PASSIVE HOUSE CERTIFICATION
 THE CALCULATIONS ARE NOT SUITABLE FOR REGULATORY COMPLIANCE IN AUSTRALIA OR NEW ZEALAND

Product Configuration	mm	IGDB
Outer Lite: 6.5mm Viridian VLam Hush™ Clear	6.5	####
Gap: Air (10%)/Argon(90%) Mix - EN 673	16	
Inner Lite: 6mm Viridian LightBridge™ Clear	6	####

Sound Transmission Loss (AS/NZS ISO 717.1-2004)		
Acoustic Values:	Rw(C;Ctr) = 38(-2;-5) dB	*tested with 6.5/16/6

Manufacturing Sizes		
Nominal Thickness:	28.7	mm
Weight:	30.5	kg/m ²

Luminous factors (EN410-2011)		
Transmittance:	79	%
Outdoor reflectance:	12	%
Indoor Reflectance:	12	%

Energy Factors (EN410-2011)		
Transmittance:	48	%
Outdoor reflectance:	19	%
Indoor reflectance:	25	%
Absorptance A1:	28	%
Absorptance A2:	5	%

Solar factors (EN410-2011)		
g:	0.54	
Shading Coefficient:	N/A	

Thermal Transmission (EN673-2011) - 0°related to vertical position		
Ug:	1.14	W/(m ² .K)

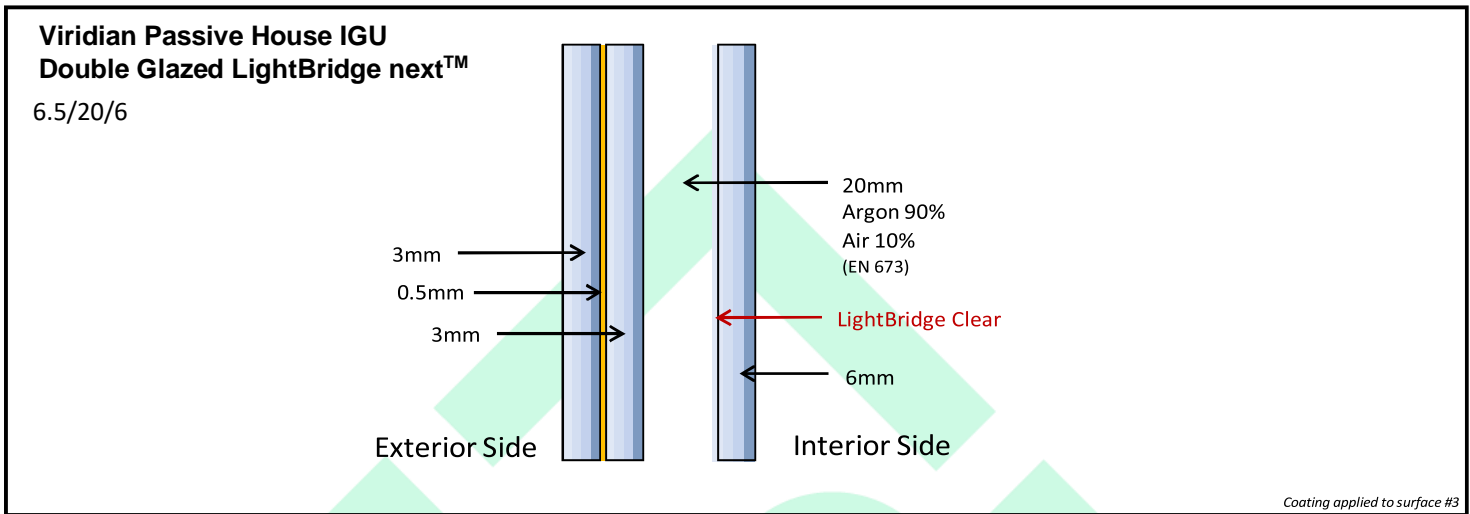
Contact:

Phone: 1800 810 403
 Email: viridian@viridianglass.com
 Website: www.viridianglass.com

These values are calculated according to EN410-2011 and EN673-2011 standards. Calculations made using LBNL Windows 7.5 set to EN673/EN410. Computed values are indicative and subject to change. These calculations cannot be used to guarantee performance of the products. The user must check the feasibility of the associated products, in particular in terms of thickness and colour. Furthermore, it is the users responsibility to check that the resulting combination of glazing meets regulatory requirements at national, local or regional level.

THESE CALCULATIONS ARE NOT SUITABLE FOR REGULATORY COMPLIANCE IN AUSTRALIA OR NEW ZEALAND.

The product is sold under the product name Viridian Lightbridge and the coating IGDB number is not disclosed for commercial reasons. When given the acoustic values have been tested in accordance with AS/NZS ISO 717.1:2004 with the noted glass configuration. This data supersedes any previous data supplied by non-Viridian sources.



THE FOLLOWING CALCULATIONS HAVE BEEN CARRIED OUT FOR PASSIVE HOUSE CERTIFICATION
THE CALCULATIONS ARE NOT SUITABLE FOR REGULATORY COMPLIANCE IN AUSTRALIA OR NEW ZEALAND

Product Configuration	mm	IGDB
Outer Lite: 6.5mm Viridian VLam Hush™ Clear	6.5	####
Gap: Air (10%)/Argon(90%) Mix - EN 673	20	
Inner Lite: 6mm Viridian LightBridge™ Clear	6	####

Sound Transmission Loss (AS/NZS ISO 717.1-2004)			
Acoustic Values:	Rw(C;Ctr) =	--(--;--)	dB
<small>*no test data available</small>			

Manufacturing Sizes			
Nominal Thickness:	32.7	mm	
Weight:	30.5	kg/m ²	

Luminous factors (EN410-2011)			
Transmittance:	79	%	
Outdoor reflectance:	12	%	
Indoor Reflectance:	12	%	

Energy Factors (EN410-2011)			
Transmittance:	48	%	
Outdoor reflectance:	19	%	
Indoor reflectance:	25	%	
Absorptance A1:	28	%	
Absorptance A2:	5	%	

Solar factors (EN410-2011)			
g:	0.54		
Shading Coefficient:	N/A		

Thermal Transmission (EN673-2011) - 0°related to vertical position			
Ug:	1.16	W/(m ² .K)	

Contact:
 Phone: 1800 810 403
 Email: viridian@viridianglass.com
 Website: www.viridianglass.com

These values are calculated according to EN410-2011 and EN673-2011 standards. Calculations made using LBNL Windows 7.5 set to EN673/EN410. Computed values are indicative and subject to change. These calculations cannot be used to guarantee performance of the products. The user must check the feasibility of the associated products, in particular in terms of thickness and colour. Furthermore, it is the users responsibility to check that the resulting combination of glazing meets regulatory requirements at national, local or regional level.

THESE CALCULATIONS ARE NOT SUITABLE FOR REGULATORY COMPLIANCE IN AUSTRALIA OR NEW ZEALAND.

The product is sold under the product name **Viridian Lightbridge** and the coating IGDB number is not disclosed for commercial reasons. When given the acoustic values have been tested in accordance with AS/NZS ISO 717.1:2004 with the noted glass configuration. **This data supersedes any previous data supplied by non-Viridian sources.**